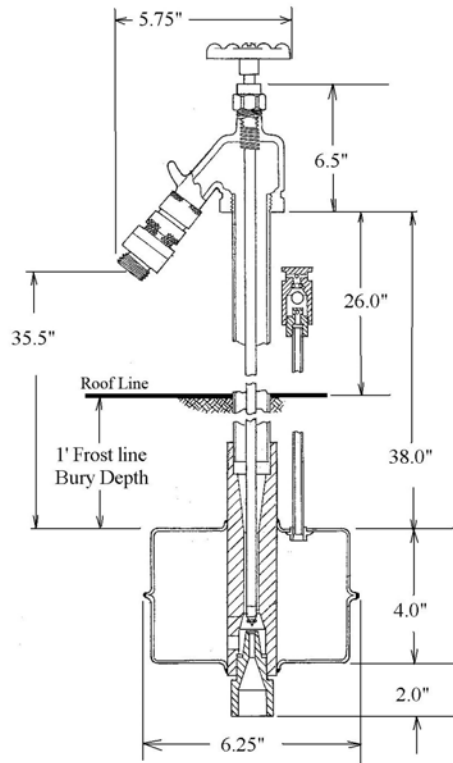


Freeze Flow Sanitary Roof Hydrant Specs

Model# 2131R



Roof hydrant shall be the Freeze Flow Roof Hydrant Model # 2131R manufactured by Hoeptner Perfected Products, Gilroy, CA .

Roof hydrant shall NOT require a drain line for frost protection. Hydrant shall drain into an integral stainless steel canister, below the roof line, to prevent freezing. Typical installation is one foot below roof line and two feet above roof line to accommodate the use of a bucket. Optional lengths available upon request.

Yard hydrants shall be supplied with a 1011 backflow preventer, a removable wagon wheel turn handle with lock shield to prevent unauthorized use. The hose bib shall have a pail hook. The inlet of the hydrant shall be $\frac{3}{4}$ FIP and the outlet shall be $\frac{3}{4}$ Hose thread. It shall have a 1" schedule 40 galvanized riser and a self adjusting solid brass operating rod that seals on an easily replaceable o-ring. All moving parts are to be replaceable from the surface without the need to remove hydrant.

Yard hydrant shall operate at a minimum operating pressure of 20 psi and a max. of 100 psi.

Hoeptner Perfected Products
7796 Oak Spring Circle * Gilroy * CA 95020
ph 408-847-7615 * fx 408-847-0675 * www.freezeflow.com