

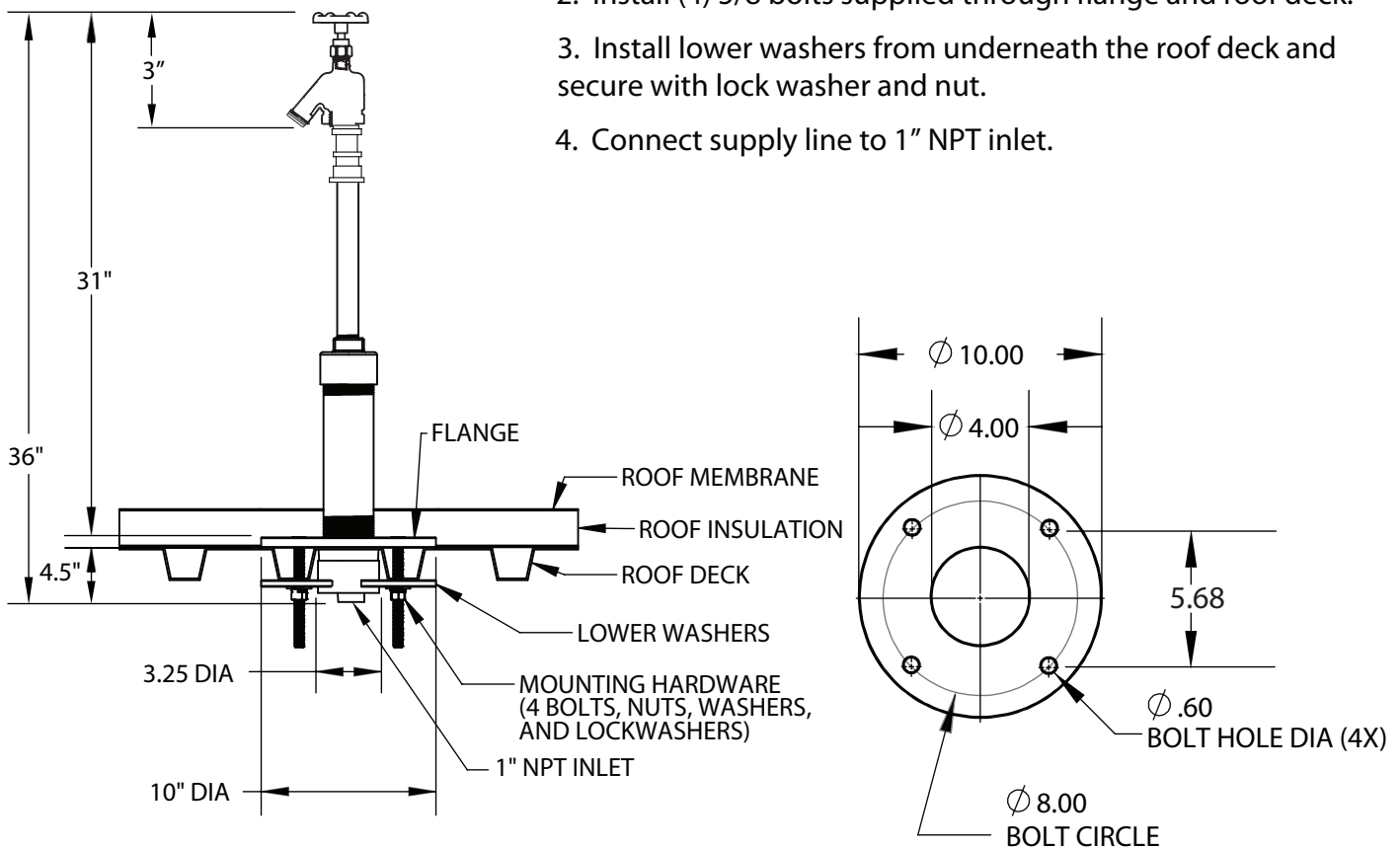
Fairweather Roof Hydrant Installation Instructions

Freezeflow hydrants are designed for heavy-duty commercial use where safe potable water is needed. This hydrant is rugged all weather resistant and designed for moderate climates where freezing is not an issue.

INSTALLATION

1. Cut a 4" hole in the roof deck. Install Hydrant in through roof deck. Using the flange as a guide drill (4) 5/8 bolt holes through the roof deck.
2. Install (4) 5/8 bolts supplied through flange and roof deck.
3. Install lower washers from underneath the roof deck and secure with lock washer and nut.
4. Connect supply line to 1" NPT inlet.

Model# 2131RF



HOEPTNER PERFECTED PRODUCTS

7796 Oak Spring Circle, Gilroy, CA 95020 * Ph 408-847-7615 / Fax 408-847-0675
work@garlic.com * www.freezeflow.com