

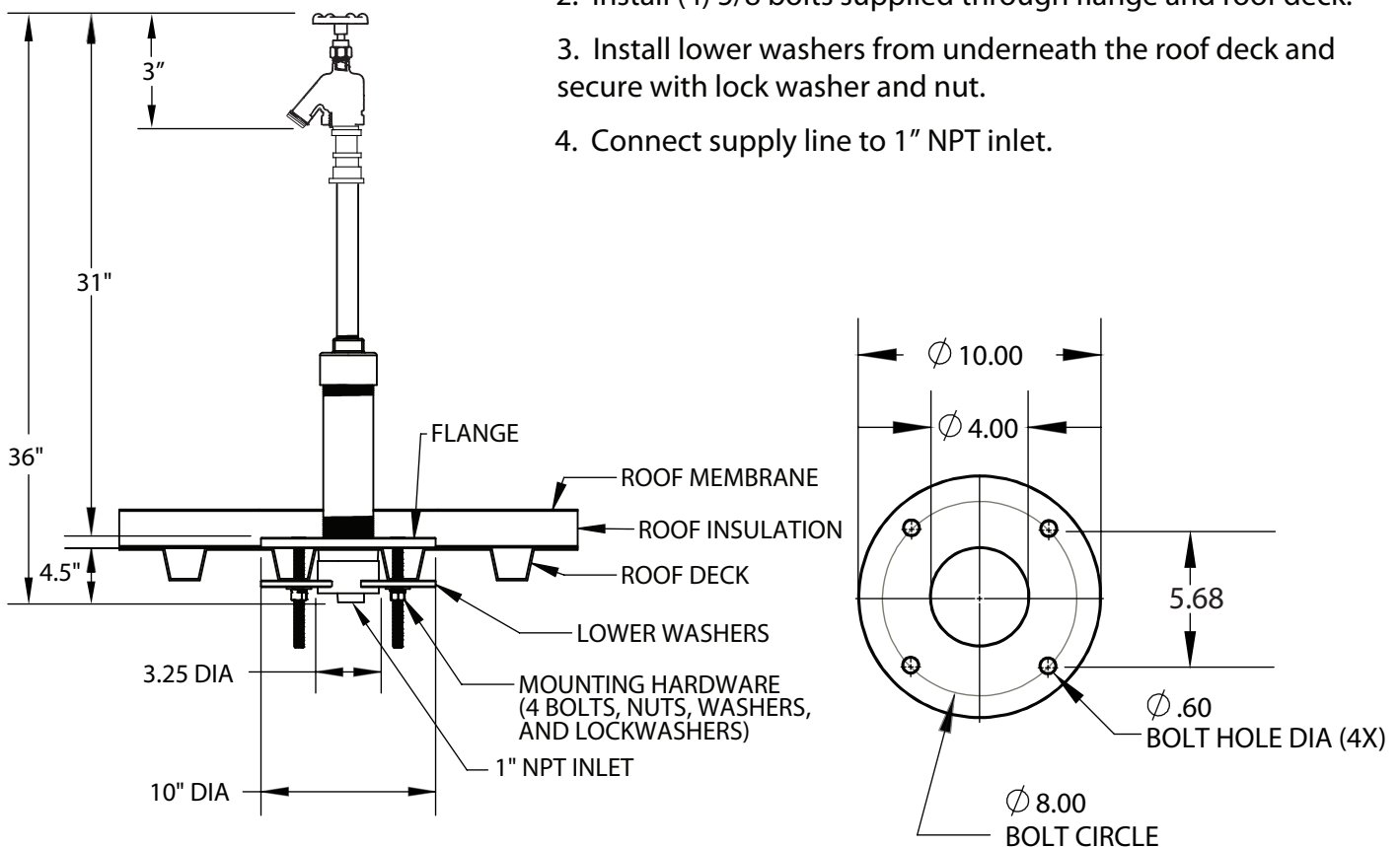
Fairweather Roof Hydrant Installation Instructions

FreezeFlow hydrants are designed for heavy-duty commercial use where safe potable water is needed. This hydrant is rugged all weather resistant and designed for moderate climates where freezing is not an issue.

INSTALLATION

1. Cut a 4" hole in the roof deck. Install Hydrant in through roof deck. Using the flange as a guide drill (4) 5/8 bolt holes through the roof deck.
2. Install (4) 5/8 bolts supplied through flange and roof deck.
3. Install lower washers from underneath the roof deck and secure with lock washer and nut.
4. Connect supply line to 1" NPT inlet.

Model# 2131RF



HOEPTNER PERFECTED PRODUCTS

7796 Oak Spring Circle, Gilroy, CA 95020 * Ph 408-847-7615 / Fax 408-847-0675
work@garlic.com * www.freezeFlow.com

Fairweather Roof Hydrant Maintenance Instructions

MAINTENANCE

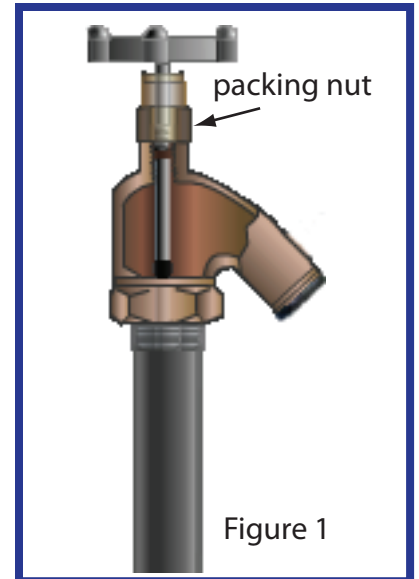
1.) **Packing Nut Leak**

Hydrant is designed to use clean water at 20 psi to 100 psi. Should leakage occur at packing nut, simply tighten nut until leakage stops. If tightening nut does not stop leakage, remove nut and replace with packing. Figure 1

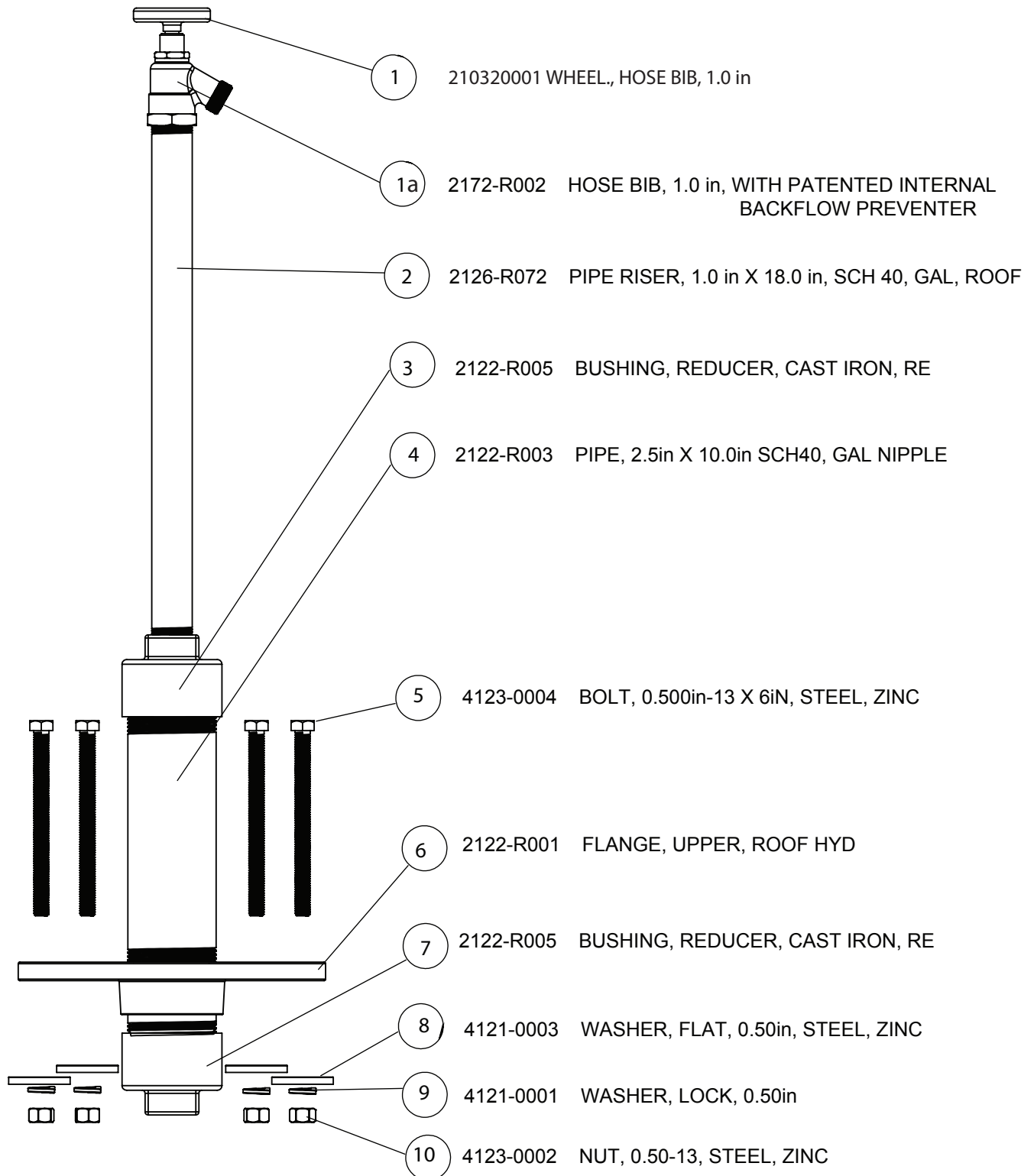
2.) **To Change Seal, Washer**

- Unscrew packing nut from under handle.
- Unscrew handle and operating rod from hose bib.
- Lift out operating rod and change washer.
- Replace operating rod and tighten packing nut.

3.) To prevent unauthorized use, the hydrant wheel handle can be removed.



Fairweather Roof Hydrant Parts



HOEPTNER PRODUCTS

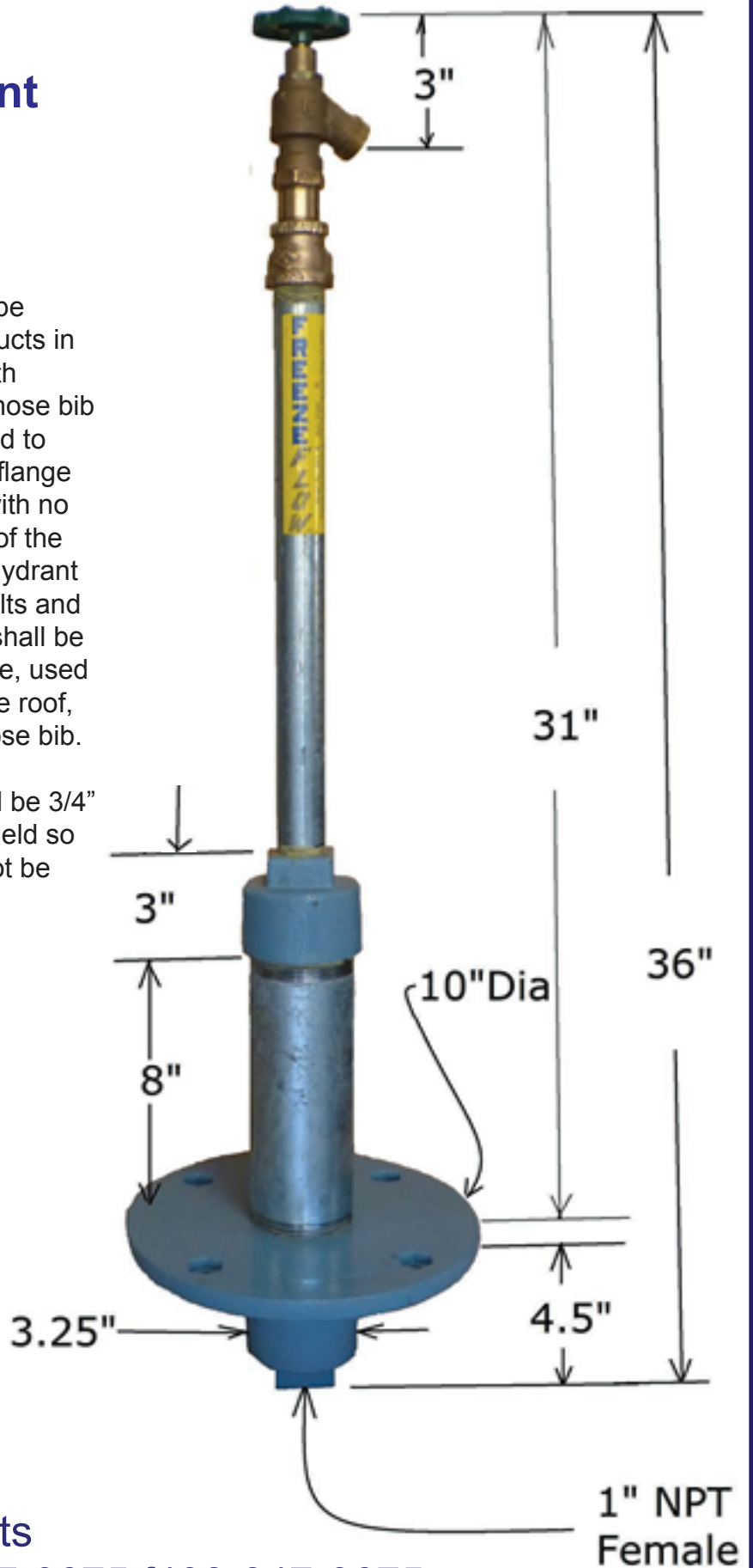
7796 Oak Spring Circle, Gilroy, CA 95020 * Ph 408-847-7615 / Fax 408-847-0675
work@garlic.com * www.freeze-flow.com

FREEZEFLOW Fairweather Roof Hydrant Model# 2131RF

Spec Sheet

The FreezeFlow Fairweather hydrant shall be manufactured by Hoepfner Perfected Products in Gilroy CA. It shall have a brass hose bib with internal backflow prevention located in the hose bib stem. Hose bib must be listed and approved to ASSE 1011. Hydrant shall have a cast iron flange that is threaded securely to the standpipe with no rubber sealing required to seal any portion of the hydrant to the flange nor seal to the roof. Hydrant shall bolt to the roof using supplied nuts, bolts and washers. A male to male reducer bushing shall be incorporated to reduce from the 2.5" gal pipe, used to assist roofers in sealing the hydrant to the roof, down to the 1" gal riser that supports the hose bib.

Inlet shall be 1" NPT female and outlet shall be 3/4" hose thread. Hose bib shall have a lock shield so that when handle is removed hydrant cannot be turned on.



Hoepfner Perfected Products

freezeflow.com

p408-847-0675 f408-847-0675

MANUFACTURER'S LIMITED ONE YEAR WARRANTY

Hoeptner Perfected Products warrants this product to be free from defects in material or workmanship for a period of one year from date of original shipment. Hoeptner Perfected Products will, at its option, repair or replace any part of this product that proves, upon our inspection, and within one year from date of shipment, to be defective in material or workmanship. Transportation costs or charges incidental to warranty service are to be borne by the purchaser-user. This warranty does not apply to goods or parts not manufactured by Hoeptner Perfected Products, instead Hoeptner Perfected Product's obligation for these parts is limited to the actual warranty extended to Hoeptner Perfected Products by the manufacturer. This shall constitute the exclusive remedy for breach of warranty, and Hoeptner Perfected Products shall not be responsible for any incidental or consequential damages, including without limitation, damages or other costs resulting from labor charges, delays, vandalism, negligence, fouling caused by foreign material, damage from adverse water conditions, chemicals, or any other circumstances over which Hoeptner Perfected Products has no control. This warranty shall be invalidated by any abuse, misuse, misapplication or improper installation of the product.

Hoeptner Perfected Products makes no other warranties express or implied of any kind with respect to the goods, parts and materials, including but not limited to, any implied warranty as to merchantability or as to the fitness of the merchandise for a particular use and shall not be liable for any loss or damage, directly or indirectly, arising from the use of such merchandise or for consequential or incidental damages

RETURN POLICY

All products returned must be in new, perfect condition in their original packaging. We will not accept returns after 30 days. All returns are subject to a 25% restocking fee. Shipping charges will not be refunded.

All returns must be authorized in advance and be issued a Return Authorization Number - please call or e-mail us before sending returns. Returns sent to us without prior authorization will be refused delivery.

IMPLIED WARRANTY

There is no warranty other than the Manufacture's Limited One Year Warranty.