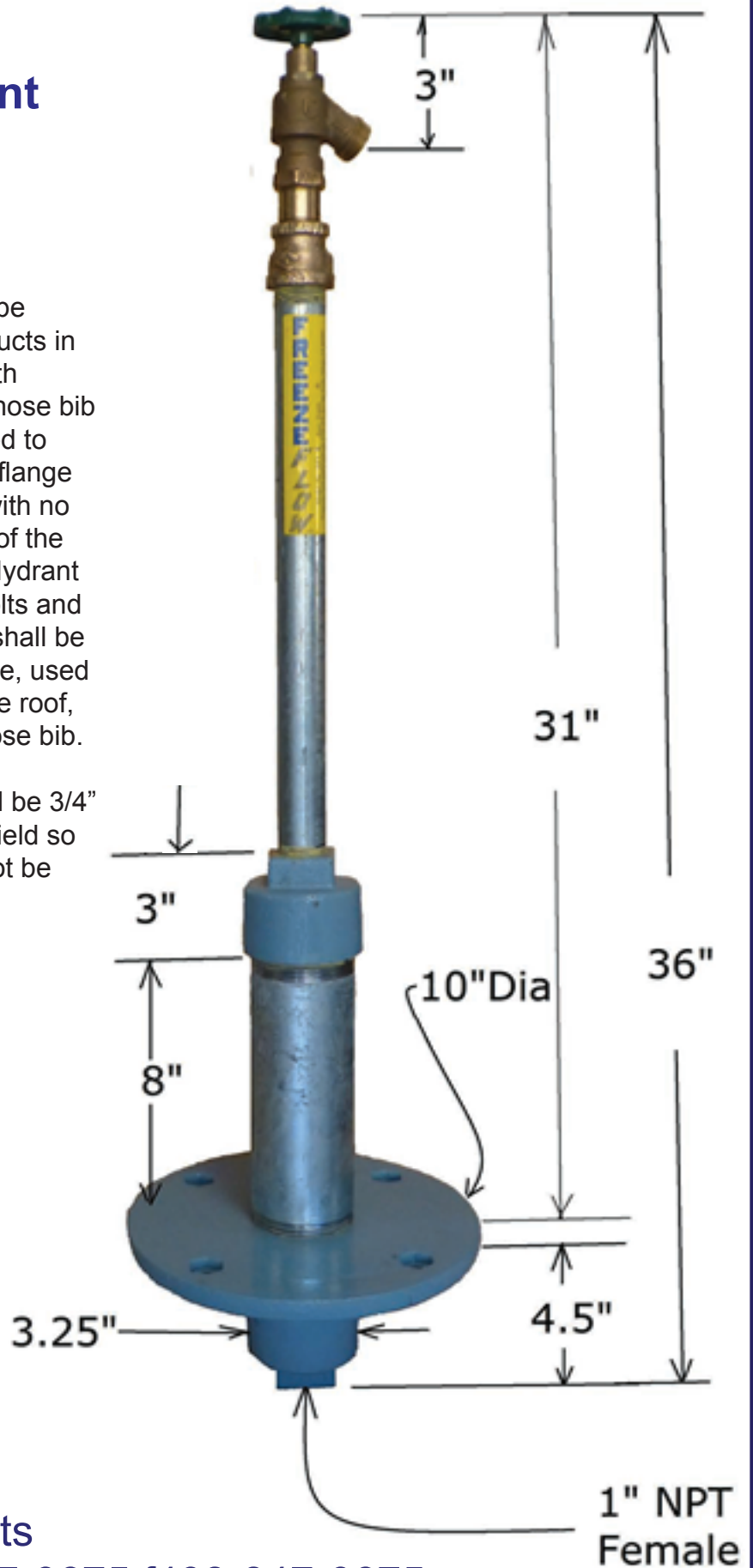


FREEZEFLOW Fairweather Roof Hydrant Model# 2131RF

Spec Sheet

The FreezeFlow Fairweather hydrant shall be manufactured by Hoeptner Perfected Products in Gilroy CA. It shall have a brass hose bib with internal backflow prevention located in the hose bib stem. Hose bib must be listed and approved to ASSE 1011. Hydrant shall have a cast iron flange that is threaded securely to the standpipe with no rubber sealing required to seal any portion of the hydrant to the flange nor seal to the roof. Hydrant shall bolt to the roof using supplied nuts, bolts and washers. A male to male reducer bushing shall be incorporated to reduce from the 2.5" gal pipe, used to assist roofers in sealing the hydrant to the roof, down to the 1" gal riser that supports the hose bib.

Inlet shall be 1" NPT female and outlet shall be 3/4" hose thread. Hose bib shall have a lock shield so that when handle is removed hydrant cannot be turned on.



Hoeptner Perfected Products

freezeflow.com

p408-847-0675 f408-847-0675