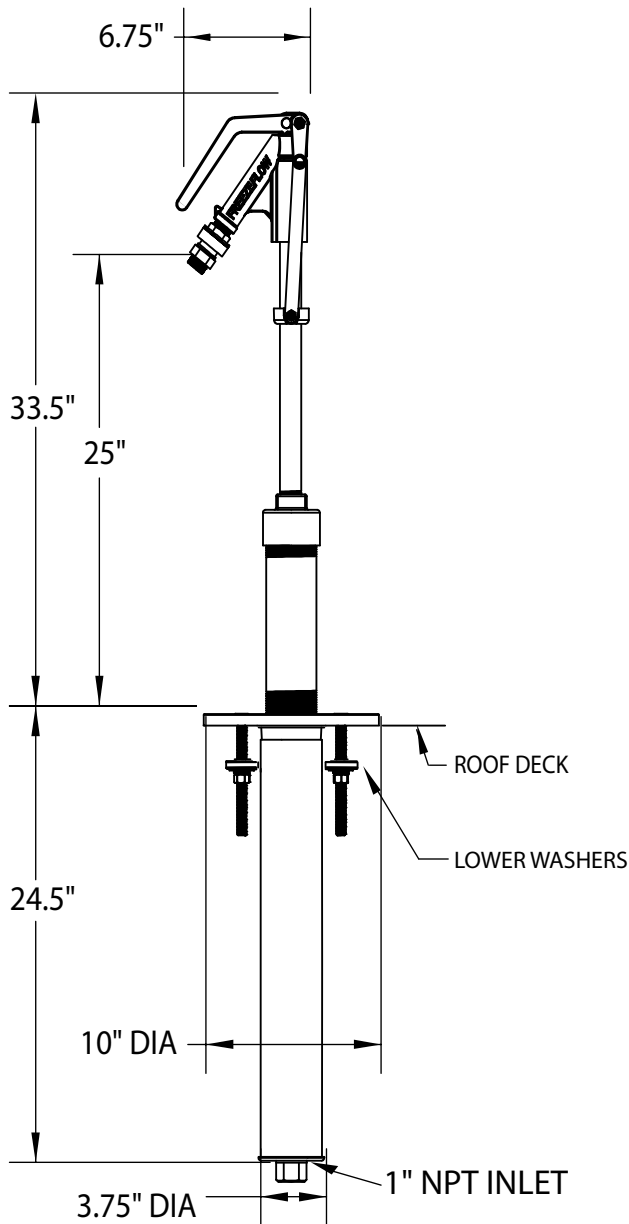


# FreezeFlow

## Executive Sanitary Roof Hydrant **SPECS**

### Model 2131RE



Roof hydrant shall be the Freeze Flow Executive Roof Hydrant Model # 2131RE manufactured by Hoeptner Perfected Products, Gilroy, CA . 408-847-7615

Roof hydrant shall NOT require a drain line for frost protection. Hydrant shall NOT require winterizing for frost protection. Hydrant shall drain below piston into reservoir, below the roof deck, to prevent freezing. Roof Hydrant shall have integral non removable mounting flange and integral ASSE 1052 style backflow preventer. The hydrant shall meet ASSE 1057 Type 1 standard.

Handle is to be located on top front of hydrant and must be lockable. Head must incorporate a pail hook. A piston must be used to keep hydrant frost free. There can be no seals located in the head casting or stand pipe. All seals must be located on the piston only. Inlet shall be 1" NPT and outlet shall be 3/4 hose thread. The section of the hydrant that is located below the roof deck shall be fire resistant galvanized steel with a brass adapter for 1" NPT inlet .

All moving parts are to be replaceable from the surface without the need to remove hydrant.

Roof hydrant shall operate at a minimum operating pressure of 10 psi and a max. of 100 psi.

Pat# 4854339, 503350, 5217039, 6047732, 642771B1, other patents pending

**Hoeptner Perfected Products**

**7796 Oak Spring Circle \* Gilroy \* CA 95020**

**ph 408-847-7615 \* fx 408-847-0675 \* [www.freeze-flow.com](http://www.freeze-flow.com)**