

Self Closing Sanitary Yard Hydrant Installation Instructions

Freeze Flow hydrants are designed for heavy-duty commercial use where safe potable water is needed. This hydrant drains into the canister below the frost line to prevent freeze ups and cross contamination with the soil bacteria

INSTALLATION

- 1.) Hydrant canister must be placed below existing frost line. Fig.1
- 2.) No ground preparation is required for the Freeze Flow Sanitary Yard Hydrant; therefore it can be placed in any soil condition. Hydrant canister is stainless steel and pipes are all galvanized steel, which meet ASTM specs. It is the responsibility of the installer to know his/her soil condition and to ensure that proper corrosion protection is administered to the hydrant. The application of paint or rubber tape may be needed to protect against some soil conditions.
- 3.) Flush supply lines BEFORE installing hydrant.
- 4.) Attach hydrant to existing supply line using an approved thread sealant.
- 5.) BEFORE back filling with soil, make sure shut off valve does not leak due to debris in supply line or damaged o-ring. A leaking seat can cause hydrant to fill with water and possibly freeze.

Do the following:

- Remove backflow preventer at quick disconnect (Figure 2)
- Operate hydrant at partial flow with thumb over outlet until the water pressure forces past thumb. (Figure 3).
- At this point shut off hydrant.

[With hydrant full of water it is easier to detect if hydrant is leaking.
Hydrant should not drip from outlet once hydrant is full of water.]

- If hydrant leaks from outlet, remove operating rod and replace o-ring on stopper tip. (Figure 4)
- 6.) If no leaks are detected then replace backflow preventer and proceed to back fill hydrant with soil.

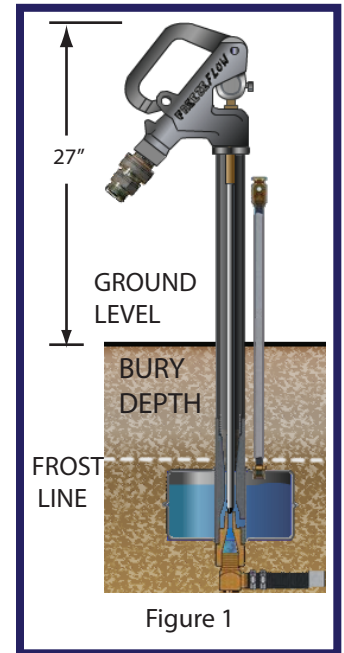


Figure 1



Figure 2

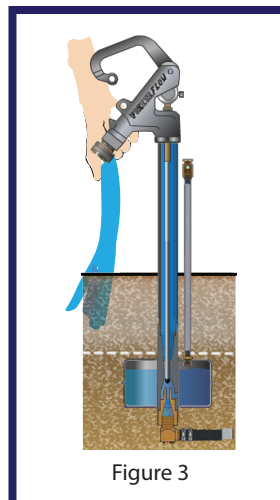


Figure 3

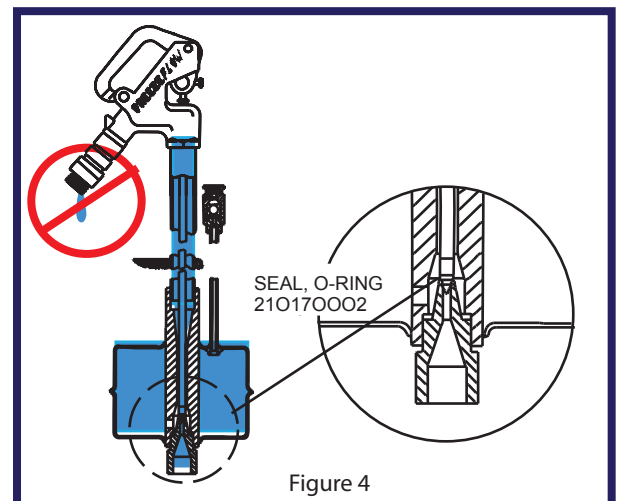


Figure 4

HOEPTNER PERFECTED PRODUCTS

7796 Oak Spring Circle, Gilroy, CA 95020 * Ph 408-847-7615 / Fax 408-847-0675
work@garlic.com * www.freeze-flow.com