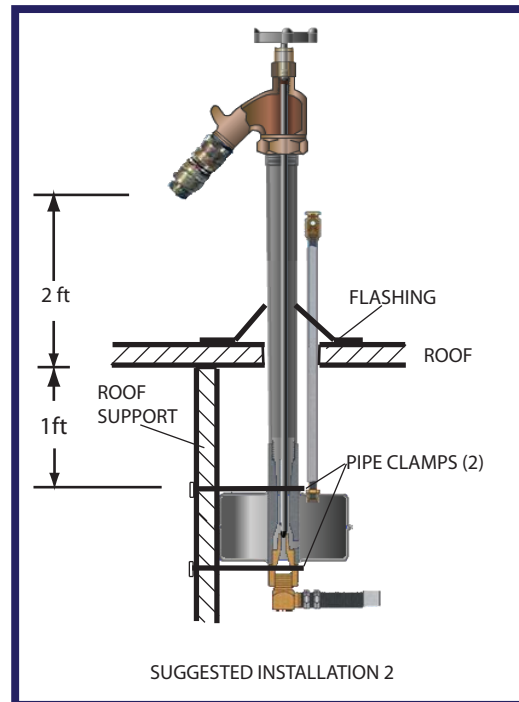
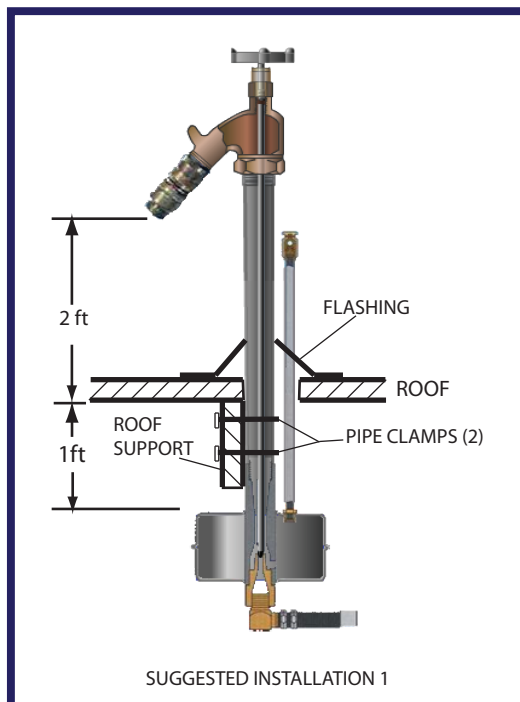


Sanitary Roof Hydrant Installation Instructions

Freeze Flow hydrants are designed for heavy-duty commercial use where safe potable water is needed. This hydrant drains into the canister below the roof line to prevent freeze ups and eliminates the need for a drain line.

INSTALLATION

- 1.) Flush supply lines BEFORE installing hydrant.
- 2.) Hydrant's stainless steel canister must be securely located below the roof. Two suggested installations are described below, your application may require a different solution.



Follow the same steps for either Suggested Installation 1 or 2

- 1.) Remove Head, handle and operating rod as one piece.
- 2.) Insert Roof Hydrant through roof opening.
- 3.) Reassemble head making sure handle is in full open position.

Hydrant canister is stainless steel and pipes are all galvanized steel, which meet ASTM specs. It is the responsibility of the installer to ensure hydrant is properly secured to the building structure and properly sealed when penetrating the roof. It is important that the brass breather, on top of the 1/8" galvanized pipe, is always located above the roof line.

Continued on page 2.

Sanitary Roof Hydrant Installation Instructions Continued

- 3.) Attach hydrant to existing supply line using an approved thread sealant.
- 4.) Check hydrant for proper operation and leaks. Make sure shut off valve does not leak due to debris in supply line or damaged o-ring. A leaking seat can cause hydrant to fill with water and possibly freeze.

Do the following:

- Remove backflow preventer at quick disconnect (Figure 1)
- Operate hydrant at partial flow with thumb over outlet until the water pressure forces past thumb. (Figure 2).
- At this point shut off hydrant.

[With hydrant full of water it is easier to detect if hydrant is leaking. Hydrant should not drip from outlet once hydrant is full of water.]

- If hydrant leaks from outlet, remove operating rod and replace o-ring on stopper tip. (Figure 3)
- 5.) If no leaks are detected then operate hydrant at full flow for 30 seconds to winterize, then replace backflow preventer. (see Winterizing)

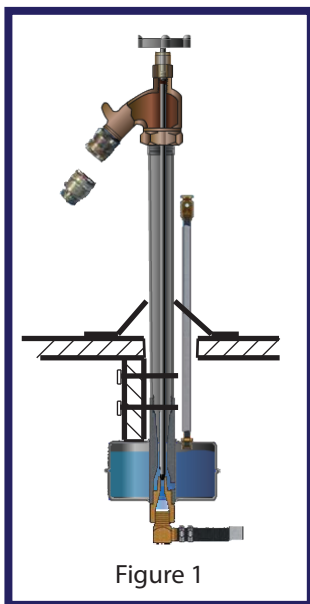


Figure 1

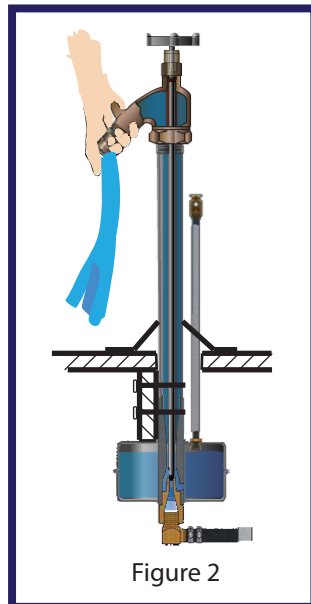


Figure 2

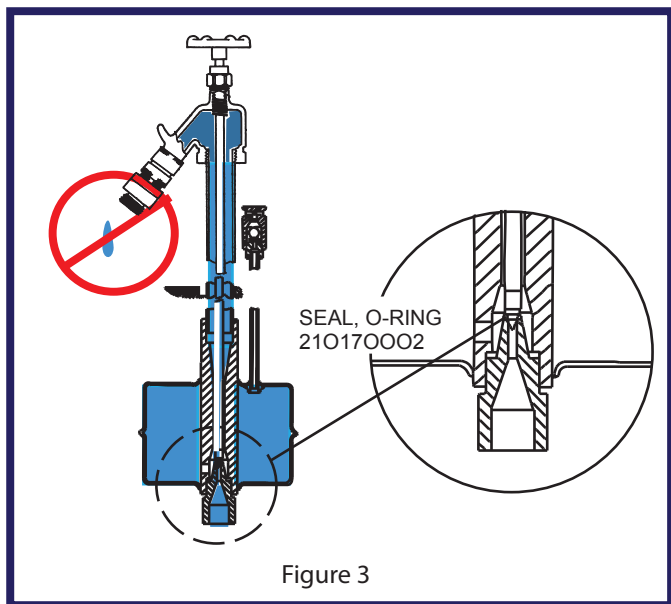


Figure 3