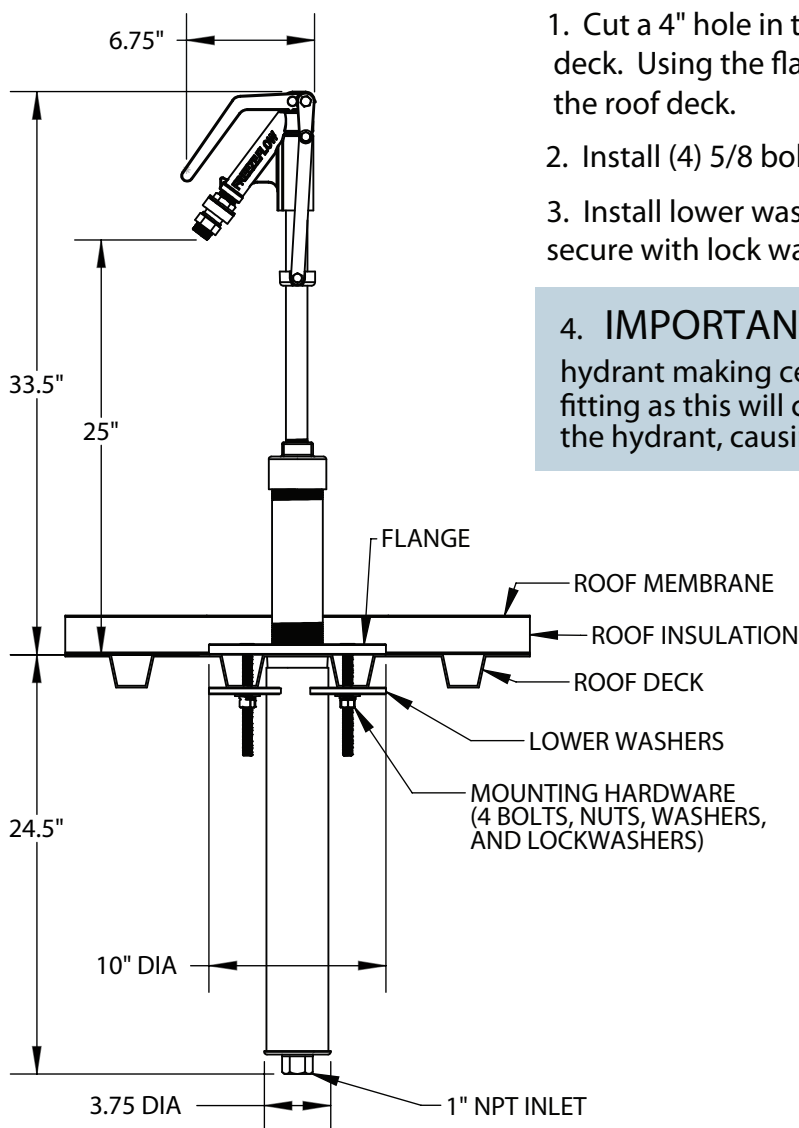


NO DRAIN, NO WINTERIZE Executive Roof Hydrant Installation Instructions

Freezeflow hydrants are designed for heavy-duty commercial use where safe potable water is needed. This hydrant drains into a reservoir below the roof line to prevent freeze ups and eliminates the need for a drain line or winterization.

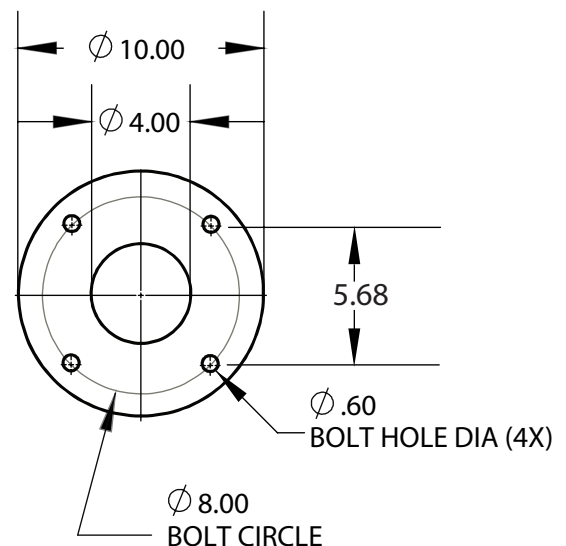
Model# 2131RE

INSTALLATION



1. Cut a 4" hole in the roof deck. Install Hydrant in through roof deck. Using the flange as a guide drill (4) 5/8 bolt holes through the roof deck.
2. Install (4) 5/8 bolts supplied through flange and roof deck.
3. Install lower washers from underneath the roof deck and secure with lock washer and nut.

4. IMPORTANT! Attach supply line to inlet of hydrant making certain **NOT** to turn the 1"NPT brass inlet fitting as this will crack the female mating flange inside the hydrant, causing it to leak.



HOEPTNER PERFECTED PRODUCTS

7796 Oak Spring Circle, Gilroy, CA 95020 * Ph 408-847-7615 / Fax 408-847-0675
work@garlic.com * www.freezeflow.com