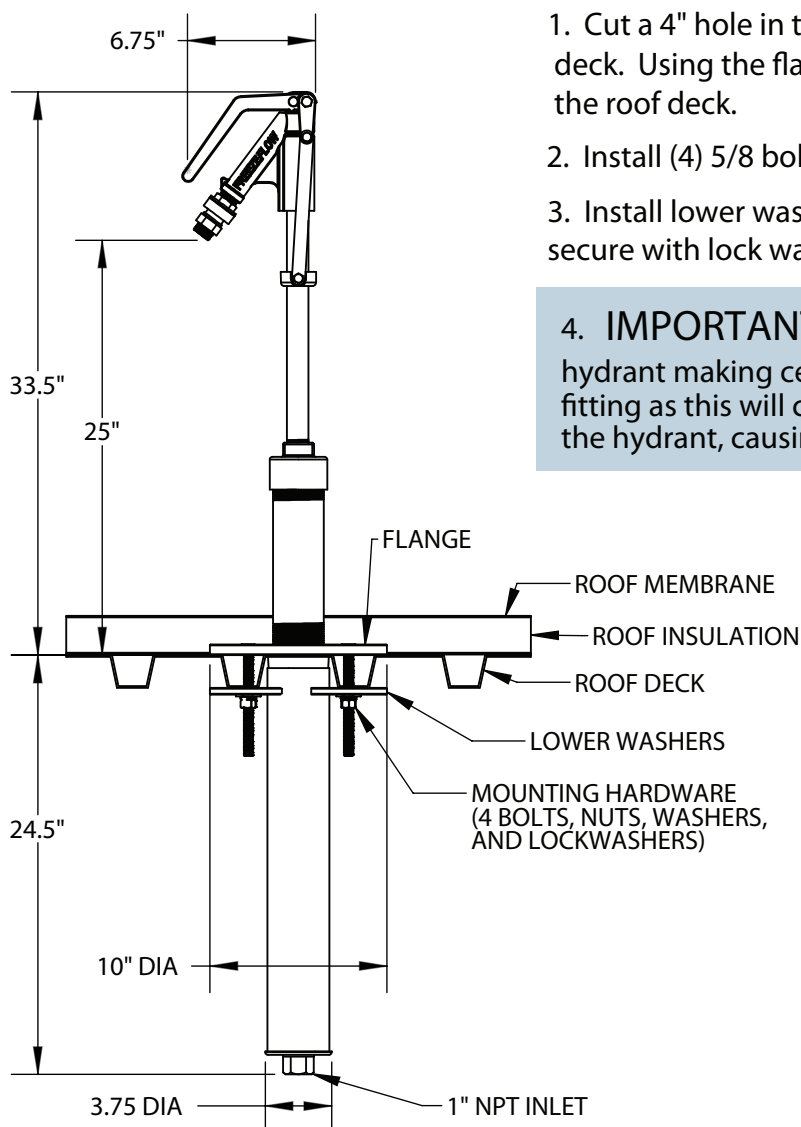


NO DRAIN, NO WINTERIZE Executive Roof Hydrant Installation Instructions

FreezeFlow hydrants are designed for heavy-duty commercial use where safe potable water is needed. This hydrant drains into a reservoir below the roof line to prevent freeze ups and eliminates the need for a drain line or winterization.

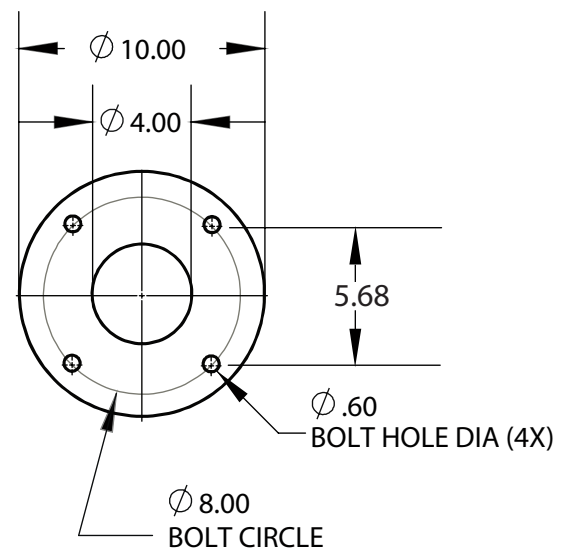
Model# 2131RE

INSTALLATION



1. Cut a 4" hole in the roof deck. Install Hydrant in through roof deck. Using the flange as a guide drill (4) 5/8 bolt holes through the roof deck.
2. Install (4) 5/8 bolts supplied through flange and roof deck.
3. Install lower washers from underneath the roof deck and secure with lock washer and nut.

4. **IMPORTANT!** Attach supply line to inlet of hydrant making certain **not** to turn the 1"NPT brass inlet fitting as this will crack the female mating flange inside the hydrant, causing it to leak.



HOEPTNER PERFECTED PRODUCTS

7796 Oak Spring Circle, Gilroy, CA 95020 * Ph 408-847-7615 / Fax 408-847-0675
work@garlic.com * www.freezeFlow.com

Executive Sanitary Roof Hydrant Operating Instructions

Use

The Executive roof hydrant is designed for use on the top of Commercial buildings where clean potable water is required. Double check backflow prevention is built internally. Operating pressure is from 10 psi to 100 psi.

Over View

1. No winterization is required to prevent hydrant from freezing.
2. Lift up on lever to turn on, push down on lever to turn off.
3. As hydrant is turned on some water will come out port holes in vacuum breaker, this is normal.
4. When the hydrant is shut off it will drain to the reservoir to prevent freezing, even if a hose with pistol grip nozzle is attached.
5. DO NOT remove, discard, or bypass Backflow Preventer as Hydrant will not function properly.

See Maintenance: "Field Testing the Backflow Preventer" for further information on the Backflow Preventer.

Executive Roof Hydrant Off



Operation

The patented FreezeFlow Executive Roof Hydrant works on a piston principal. When the hydrant is off, the piston moves up shutting off the supply of water to the hydrant. The void that is created under the piston is where the water from the riser is stored. This frost free feature will prevent the hydrant from freezing even with a hose or pistol grip nozzle attached. Because the hydrant drains into a sealed canister and not out a fabricated drain, construction costs are greatly reduced.

When the hydrant is turned on the piston moves back down forcing all the stored water out of the reservoir and back up the riser.

The Freeze Flow Executive Roof Hydrant does not require winterizing. It winterizes automatically each and every time it is operated. It no longer requires special operations from the end user.

Executive Roof Hydrant Maintenance Instructions

REMOVAL AND REPLACEMENT OF SEALS

In the unlikely event that your hydrant needs repair, it will be necessary to unscrew Bushing and lift entire mechanism out of the Cylinder. There is no need to remove hydrant from roof. Follow the steps below being careful not to damage the plastic piston.

- 1.) Apply a wrench to the Bushing and a second wrench to the Cylinder to prevent the Cylinder from turning.
- 2.) Remove and replace the four seals shown with Seal Kit #210170018
- 3.) Lubricate all four seals with Vaseline or approved lubricant.
- 4.) Carefully reinstall mechanism into Cylinder.

- Do not over tighten Bushing as it does not see any water pressure and future removal will be difficult.

No adjustment is necessary providing locking collar, at base of head, has not been moved.

Proper location of locking collar is when the top of collar is 4" from top of galvanized riser pipe.

FIELD TESTING THE BACKFLOW PREVENTER

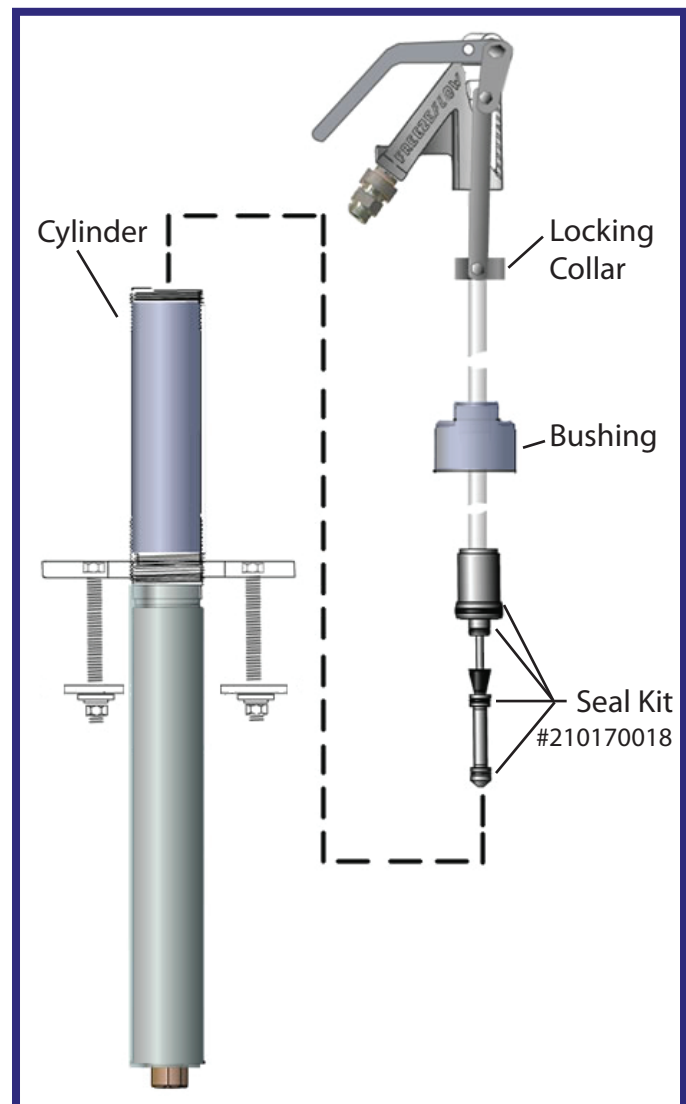
If the Backflow Preventer is not operating normally the Hydrant will not function properly.

To field test backflow preventer:

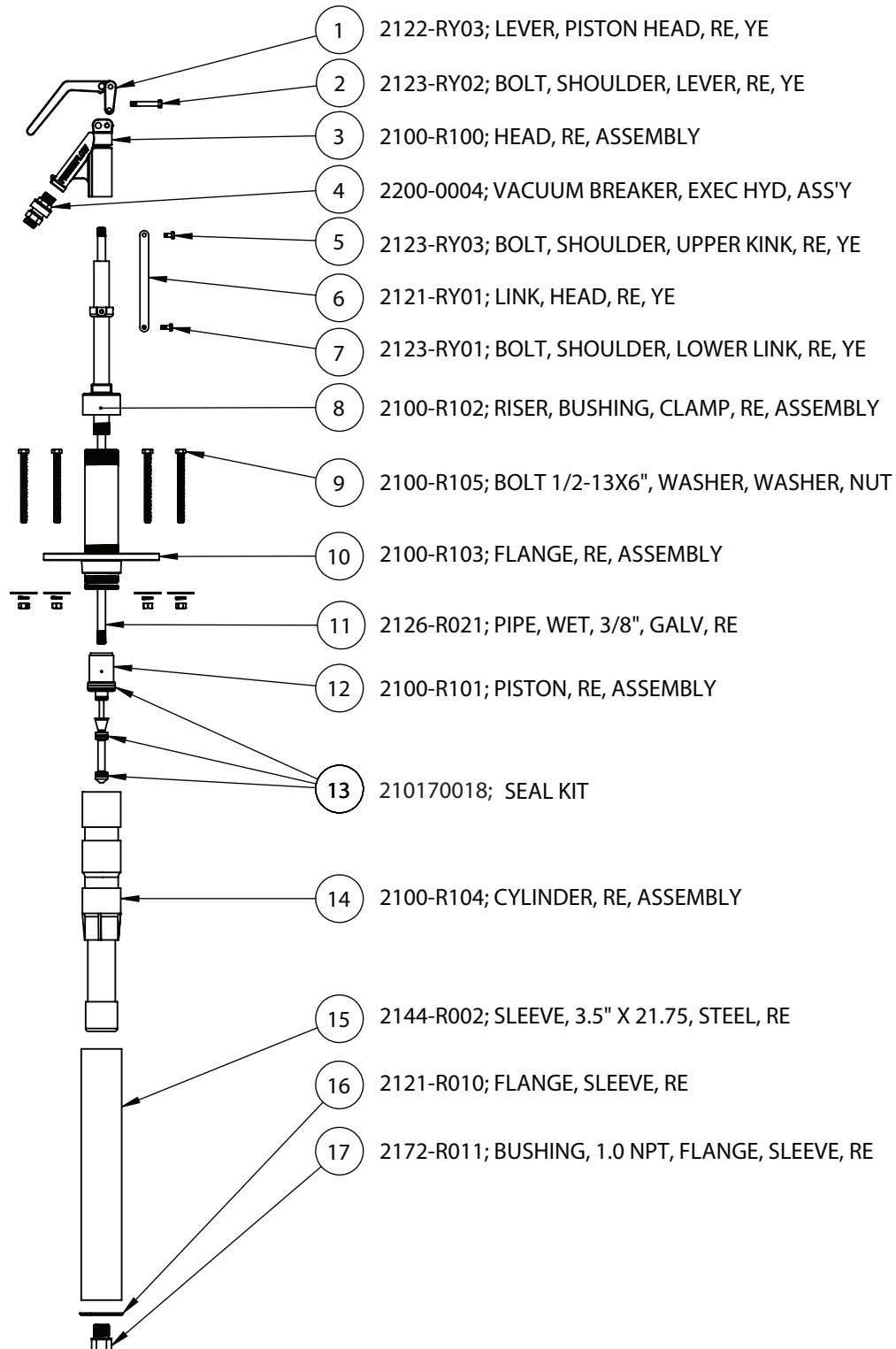
- Raise hose above hydrant head.
- Turn on hydrant until water flows from hose
- Hose should remain full of water.
- Turn off hydrant.

If hose drains down then repair or replace backflow preventer.

NOTE: If the hydrant has not been used for a long period of time, it is advisable to flush the hydrant for 60 seconds when the water is used for drinking.



Executive Sanitary Roof Hydrant Parts



HOEPTNER PRODUCTS

7796 Oak Spring Circle, Gilroy, CA 95020 * Ph 408-847-7615 / Fax 408-847-0675
work@garlic.com * www.freeze-flow.com

FreezeFlow

Executive Sanitary Roof Hydrant **SPECS**

Model 2131RE

Roof hydrant shall be the Freeze Flow Executive Roof Hydrant Model # 2131RE manufactured by Hoeptner Perfected Products, Gilroy, CA . 408-847-7615

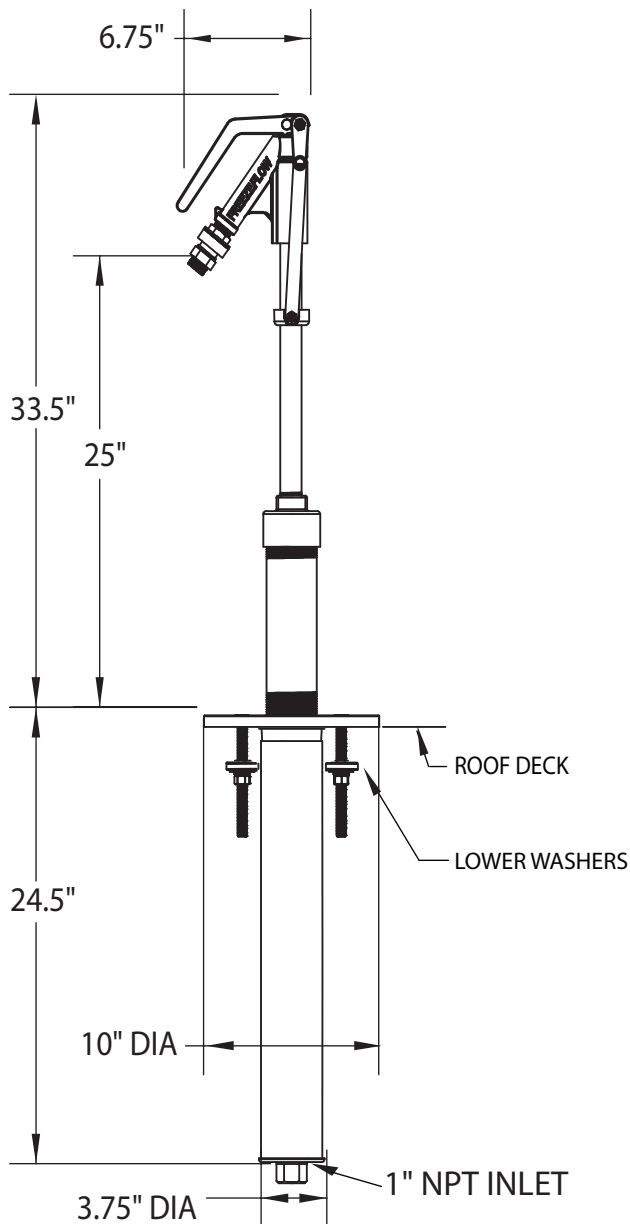
Roof hydrant shall NOT require a drain line for frost protection. Hydrant shall NOT require winterizing for frost protection. Hydrant shall drain below piston into reservoir, below the roof deck, to prevent freezing. Roof Hydrant shall have integral non removable mounting flange and integral ASSE 1052 style backflow preventer. The hydrant shall meet ASSE 1057 Type 1 standard.

Handle is to be located on top front of hydrant and must be lockable. Head must incorporate a pail hook. A piston must be used to keep hydrant frost free. There can be no seals located in the head casting or stand pipe. All seals must be located on the piston only. Inlet shall be 1" NPT and outlet shall be 3/4 hose thread. The section of the hydrant that is located below the roof deck shall be fire resistant galvanized steel with a brass adapter for 1" NPT inlet .

All moving parts are to be replaceable from the surface without the need to remove hydrant.

Roof hydrant shall operate at a minimum operating pressure of 10 psi and a max. of 100 psi.

Pat# 4854339, 503350, 5217039, 6047732, 642771B1, other patents pending



Hoeptner Perfected Products

7796 Oak Spring Circle * Gilroy * CA 95020

ph 408-847-7615 * fx 408-847-0675 * www.freezeflow.com

MANUFACTURER'S LIMITED ONE YEAR WARRANTY

Hoeptner Perfected Products warrants this product to be free from defects in material or workmanship for a period of one year from date of original shipment. Hoeptner Perfected Products will, at its option, repair or replace any part of this product that proves, upon our inspection, and within one year from date of shipment, to be defective in material or workmanship. Transportation costs or charges incidental to warranty service are to be borne by the purchaser-user. This warranty does not apply to goods or parts not manufactured by Hoeptner Perfected Products, instead Hoeptner Perfected Product's obligation for these parts is limited to the actual warranty extended to Hoeptner Perfected Products by the manufacturer. This shall constitute the exclusive remedy for breach of warranty, and Hoeptner Perfected Products shall not be responsible for any incidental or consequential damages, including without limitation, damages or other costs resulting from labor charges, delays, vandalism, negligence, fouling caused by foreign material, damage from adverse water conditions, chemicals, or any other circumstances over which Hoeptner Perfected Products has no control. This warranty shall be invalidated by any abuse, misuse, misapplication or improper installation of the product.

Hoeptner Perfected Products makes no other warranties express or implied of any kind with respect to the goods, parts and materials, including but not limited to, any implied warranty as to merchantability or as to the fitness of the merchandise for a particular use and shall not be liable for any loss or damage, directly or indirectly, arising from the use of such merchandise or for consequential or incidental damages

RETURN POLICY

All products returned must be in new, perfect condition in their original packaging. We will not accept returns after 30 days. All returns are subject to a 25% restocking fee. Shipping charges will not be refunded.

All returns must be authorized in advance and be issued a Return Authorization Number - please call or e-mail us before sending returns. Returns sent to us without prior authorization will be refused delivery.

IMPLIED WARRANTY

There is no warranty other than the Manufacture's Limited One Year Warranty.