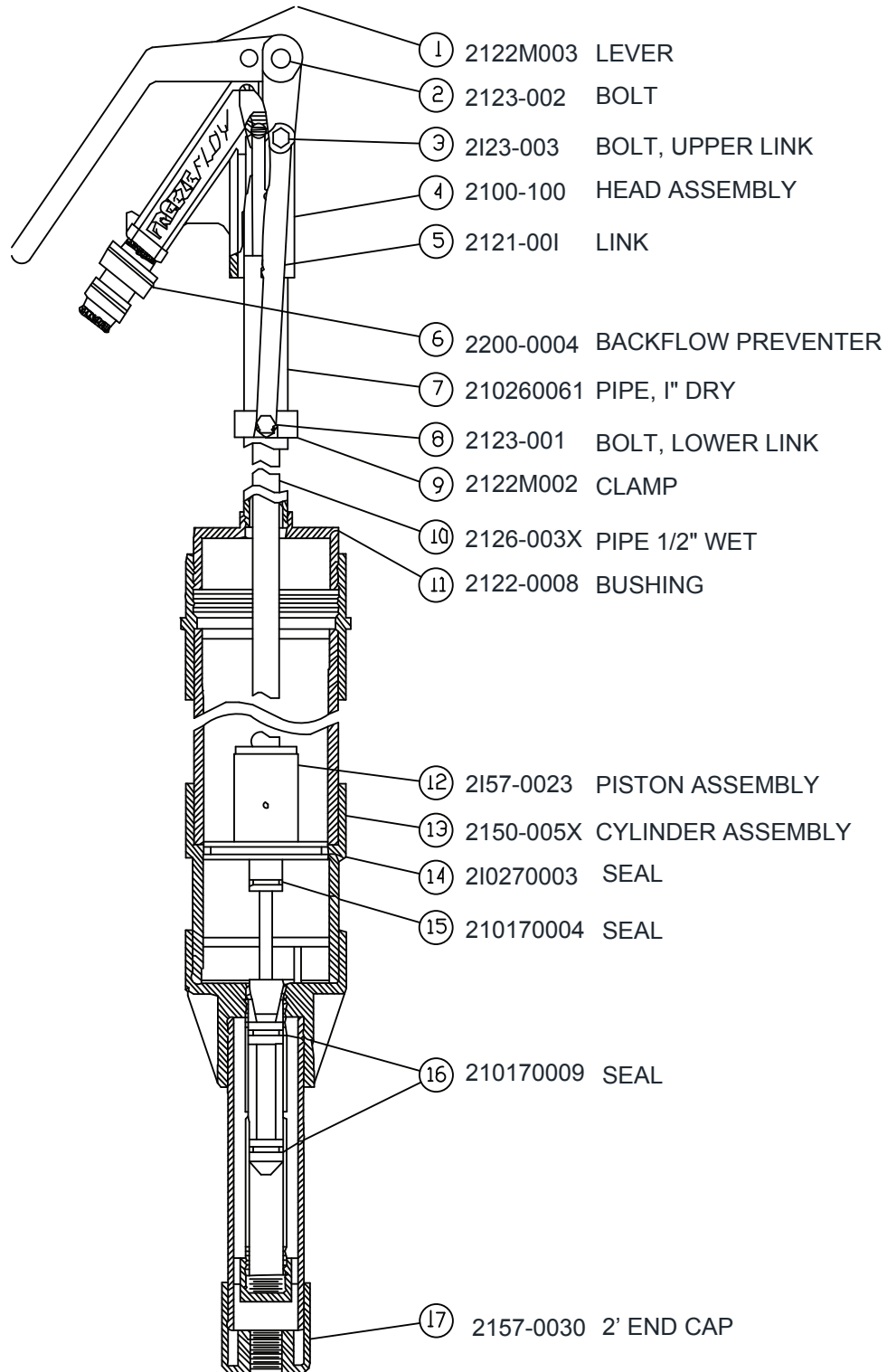


## **Executive Sanitary Yard Hydrant Parts**



HOEPTNER PRODUCTS

7796 Oak Spring Circle, Gilroy, CA 95020 \* Ph 408-847-7615 / Fax 408-847-0675  
work@garlic.com \* www.freeze-flow.com